



LineGard | PGFP Series

15 Amp Plug Series GFCI / ELCI

INTRODUCTION

The LineGard™ 15 Amp Plug Series is a ground fault circuit interrupter designed and manufactured by North Shore Safety, Ltd., a leader in innovated safety products. The PGFP product is rated for 15 amps at 120 VAC and available in either manual (safe start) or automatic reset configuration.

Standard offerings include products geared for maintenance repair organizations (MRO), original equipment manufacturers (OEM) or general portable power applications. MRO products are supplied with heavy-duty 12/3 conductor high flex (indoor/outdoor) safety yellow cable (SJTW type) capable of withstanding heavy trade or industrial use. OEM products are configured with robust 14/3 conductor (indoor/outdoor) black cable (SJTW type) for integration into trade related equipment. All products are industrial/trade grade tough and are backed by a 2 year manufacturer's warranty. Note that any cord or equipment updated with this device becomes OSHA compliant for power usage in a confined space and NEC compliant to NEC 590.6 (a) and (b).

FEATURES

- Bright LED power indicator
- Recessed interface buttons reduce damage and nuisance tripping from rough service
- High strength polycarbonate housing
- Class A cULus 943 listed with load side connector assemblies
- Assemblies without load side connectors are UL recognized for use under UL 943
- NEMA 3R rated (indoor / outdoor use)
- Assembly is rated for 15 amps / 120 VAC
- Available in automatic or manual reset configurations*
- Available with single or tri-tap plug assembly

SPECIFICATIONS

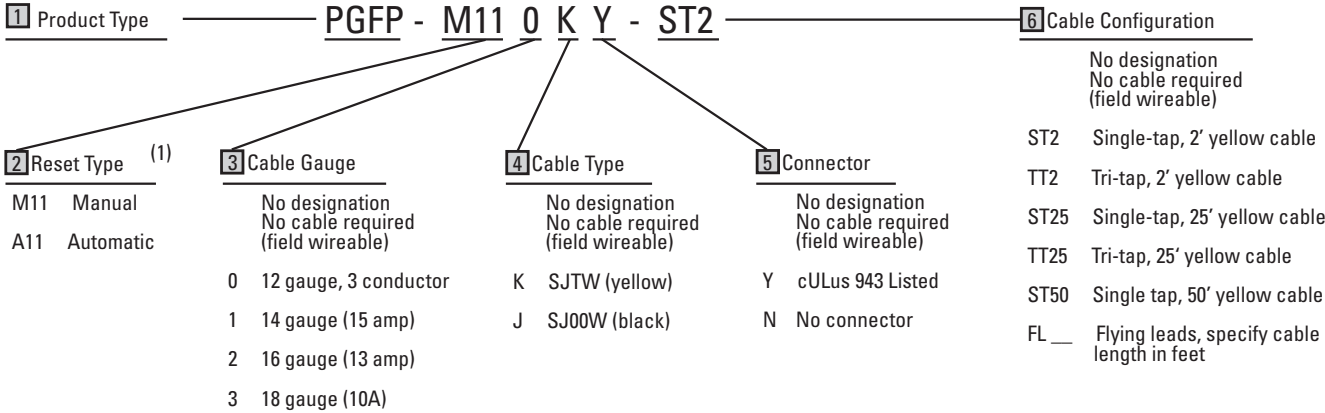
Listing Type	cULus Listed Class A UL 943
Rated Supply Voltage	120VAC
Rated Current	Up to 15 Amps or rating of wiring device and/or cable
Trip Level, Class A	5mA +/- 1mA (UL 943)
Operating Frequency	60 Hz
Reset Type¹	Automatic or Manual
Ground Trip Current	4 mA to 6 mA
Overload Current	90 Amps @ 125VAC
Insulation Voltage	1,500 VRMS for 1 minute
Endurance Operations	3000 operations
<p>1. Manual configuration should be specified if automatic start-up after power restoration of circuit power creates an unsafe condition.</p> <p>2. Integrated or replacement cable must be indoor/outdoor 3-conductor cable of type ST, SJT, SE, SJE, SO or SJO</p>	

RELATED CODES	
Confined Space	OSHA 29 CFR 1926.404 (b)(1)(ii), OSHA 29 CFR 1926.405 (a)(2)(ii)(G)
Construction Sites	(NEC 590.6)
Commercial Garages	(NEC 511.12)
Outdoor Signs	(NEC 600.10)
Fountains & Water Displays	(NEC 680.58)
Spa & Hot Tubs	(NEC 680.40)
Marinas & Boat Yards	(NEC 555.3)

APPLICATION OPPORTUNITIES:

- Electrical wet locations
- Power generators
- Agricultural equipment
- Outdoor electrical equipment
- Cement cutting equipment
- Portable electric heaters
- Submersible pumps
- Pipeline heaters
- Automotive garages
- Industrial part washers
- Outdoor signage
- Vending equipment

DECISION TABLES



Note: 1. Manual configuration should be specified if automatic power-up, after power restoration of circuit power, could create an unsafe condition.
2. Integrated or replacement cable must be indoor/outdoor 3-conductor cable of type ST, SJT, SE, SJE, S0 or SJO
3. Custom cord sets are available. Please consult Airpax for other options



This document is generated from the AIRPAX™ full-line catalog #2455005000 printed in USA, January 2011

BUSINESS CENTERS

Sensata Technologies

807 Woods Road
Cambridge, MD 21613, USA
Phone: +1 410-228-1500
Brands: Airpax™

Sensata Technologies Inc.

529 Pleasant Street
Attleboro, MA 02703, USA
Phone: +1 508-236-3287
Brands: Klixon™, Sensata Technologies™

Sensata Technologies

4467 White Bear Lake Parkway
St. Paul, MN 55110, USA
Phone: +1 800-553-6418
Brands: Dimensions™

Sensata Technologies Holland B.V.

Kolthofsingel 8
7602 EM Almelo, The Netherlands
Phone: +31 546 87 95 55
Brands: Klixon™, Sensata Technologies™

Sensata Technologies China Co., Ltd.

Novel Plaza, 8th Floor
128 Nanjing Road West
Shanghai, 20003
People's Republic of China
Phone: +86 21 23061500
Brands: Klixon™, Sensata Technologies™

Sensata Technologies Korea Ltd.

29F, Trade Tower
159-1 SamSung-Dong, KangNam-Ku, Seoul
135-729, Korea
Phone: +81-2-551-2918
Brands: Klixon™, Sensata Technologies™

Sensata Technologies Japan Ltd.

305, Tanagashira
Oyama-cho, Sunto-gun, Shizuoka-ken
Japan, 410-1396
Phone: +81 550 78 1211
Brands: Klixon™, Sensata Technologies™

Sensata Technologies Nihon-Airpax

6-3, Chi Yoda 5 Chome
Saitama-Ken
Japan, 350-0214
Phone: +81 492 83 7575
Brands: Airpax™



Important Notice: Sensata Technologies (Sensata) reserves the right to make changes to or discontinue any product or service identified in this publication without notice. Sensata advises its customers to obtain the latest version of the relevant information to verify, before placing any orders, that the information being relied upon is current. Sensata assumes no responsibility for infringement of patents or rights of others based on Sensata applications assistance or product specifications since Sensata does not possess full access concerning the use or application of customers' products. Sensata also assumes no responsibility for customers' product designs.

<http://airpax.sensata.com/>